

Meetion

INSPIRE POTENTIAL IN COMFORT

CAM500 USB Webcam
USER'S MANUAL

Congratulations on the Purchase of MEETION products!

Please read this user's manual before using the unit and retain this user's manual in safe place for future reference.

COPYRIGHT

©2025. MEETION TECH CO., LTD. Version 1.0(V 1.0). This Manual and information contained in it are copyrighted. All rights reserved.

TRADEMARKS

All trademarks are the property of their legal holders

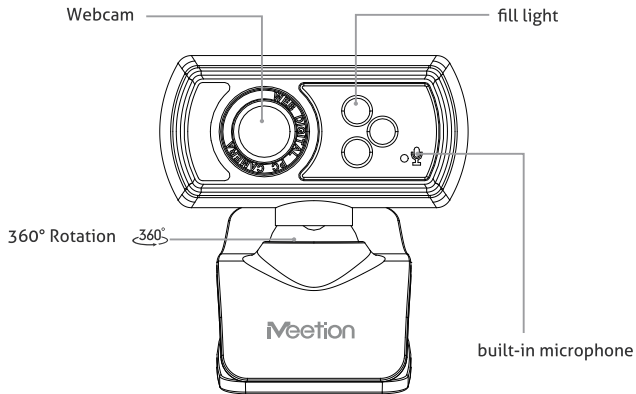
INSTALLATION

1. Connect the USB receiver to an available USB port of your PC.
2. Installation of the Webcam is automatic after its connection to a PC USB port.
3. If the Webcam not working, please restart power, or disconnect it from your PC and check connect pins for possible damage.

SPECIAL FEATURES

- High-definition image quality, three white lights, say goodbye to "shadowy figures".
- One-line control with a single button, adjust the light angle as you like.
- Universal clip design, suitable for various scenarios.
- Equipped with a 720P HD lens for clear and delicate image quality.

FEATURES



Wired control roller for adjusting light brightness

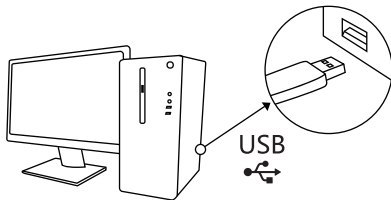


INSTALL YOUR WEBCAM

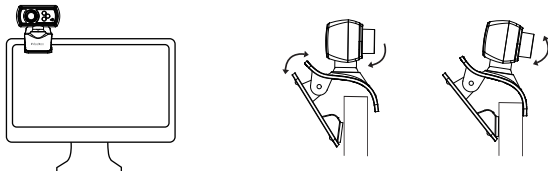
1. Connect the Webcam

Connect the camera to the computer via the USB interface.

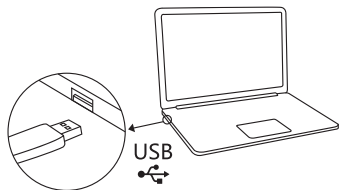
Warm Tip: when using a desktop, it is better to connect the webcam to the USB interface on the back of the computer, because this will be much more smooth in using.



2. Place Your Webcam



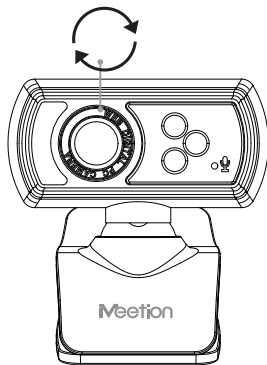
Place the camera at your desired position, open the camera clip, and install the camera on the monitor as shown in the diagram. Make sure the clip is securely fastened.



3. When installation is finished, you can start using.

How to focus?

Manually Rotate the lens directly until it becomes clear



TECHNICAL SPECIFICATION

Model:	CAM500
Hardware pixel:	1280*720P
Focusing way:	Auto
Max Resolution:	1280(H) * 720(V)
The lens wide Angle:	72°
Frame number:	30 frames per second
Microphone:	Built-in microphone
Night vision fill light:	3 Fill Lights
Connector:	USB2.0, Cable 1.5m
Driver software:	Driver-free, (Plug-and-Play)
Packing Size:	6 * 6.6 * 5.9CM
G.W:	66G

COMPATIBILITY

Applicable system:

Windows (windows XP / Vista / 7 / 8/ Win10/Linux with UVC(above linux-2.6.26)
Mac-OS X 10.4.8 or later/Android

NOTE

- ◆ Technical specifications given in this table are supplemental information and cannot give occasion to claims.
- ◆ Technical specifications are subject to change without notice due to improvement of MEETiON production.
- ◆ Technical support by Meetion Tech.



GENERAL

- The safe product, conforming to the US and EU requirements.
- The product is made in accordance with RoHS standard.
The product is made in accordance with FCC standard. The standard was issued in order to decrease the amount of the electronic and electrical waste emitted into the atmosphere.
- The WEEE symbol (the crossed-out wheeled bin) using indicates that this product in not home waste. You protect the environment when you recycle hazardous waste appropriately. In order to get detailed information about recycling this product, please contact your retailer or a local authority.

WARRANTY CARD

Model No. 型号	
Date of Sale 购买日期	
Seller 销售商	
Serial Number 序列号	

Address of the Seller _____
销售商地址 _____

Phone of the Seller _____
销售商电话 _____

Seller Signature & Stamp
销售商签字盖章

Stamp

QUALIFIED CERTIFICATE
合格证书

MODEL: _____
(型号)

CHECKER: _____
(检查员)

DATE: _____
(出厂日期)



To be Filled in by Service Center 以下由服务中心填写

Date of Receipt 收货日期 _____	Date of Receipt 收货日期 _____	Date of Receipt 收货日期 _____
Date of Return 返回日期 _____	Date of Return 返回日期 _____	Date of Return 返回日期 _____
Special Marks 特殊记录 _____	Special Marks 特殊记录 _____	Special Marks 特殊记录 _____

Dear Customer!

Thank you for purchasing MEETION product. We guarantee high quality and reliable operation of MEETION products, if technical requirements described in User's Manual are observed. Having purchased this product, Customer hereby agrees to warranty terms stated below.

Please read User's Manual carefully, check package contents and correctness of completing warranty card. Please retain warranty card for the whole term of operation life of the product.

With the present warranty card MEETION confirms that its product is free from defects and is obliged to provide free repair or replacement of faulty parts within warranty period which is prolonged for the term of warranty repair. MEETION reserves the right to refuse free-of-charge warranty repair unless warranty terms stated below have been met by a user. ALL warranty terms are effective within the scope of applicable legislation which assures protection of consumers' rights.

Warranty terms

"Warranty period set by the manufacturer for all kinds of products, is 12 months from the date of purchase.

1. The warranty is valid only at presence of cash or commodity check and if the warranty card has been completed correctly and it contains such details: model name, serial number (if it is foreseen by the producer), date of purchase, signature of the Buyer and stamp of the Seller.

2. Serial number (if it is foreseen by the producer) and model name of the product should correspond to those specified in the warranty card.

3. Warranty repair is carried out within warranty period specified in the warranty card by authorized service centers only (ASC).

4. Warranty for the product expires, if:

a) Instructions given in User's Manual are not observed;

b) There are signs of outside interference or obvious attempt of product's repair by unauthorized service center;

c) There are found unauthorized modifications of construction or electric circuit diagram of the product (Except for cases stipulated in User's Manual);

d) Product designed for personal (household) needs has been used for profit extraction, production needs, or other purposes which do not correspond to its intended application.

5. Warranty does not cover the following:

a) Mechanical damages or damages due to improper transportation or storage;

b) Damages caused by presence of foreign objects, substances, liquids or insects inside the product;

c) Damages caused by natural calamities, fire, household factors, accidental external factors;

d) Damages caused by non-correspondence of parameters of power supply, telecommunications and cabling networks to State standards and other external factors;

e) Damages caused by using nonstandard consumables, adapters and spare parts.

6. Warranty does not cover consumables.

7. MEETION does not assume responsibility for possible damages/injuries directly or indirectly sustained by MEETION products to people, domestic animals or property, if such damage/injury has been suffered as a result of noncompliance with rules or conditions of operation of the product or it's in spallation, deli be rate or incautious actions of a user or third persons."

If any problems occur during operation of the product, we strongly recommend addressing service centers authorized by the manufacturer of MEETION products only, addresses and phone numbers of which are found at **WWW.MEETION.COM** and e-mail: **info@meetion.com**.

I hereby accept terms of warranty servicing.

Signature of the Buyer

iMeetion

TECHNICAL SUPPORT

Having technical problems with this product?

Send an email to

service@meetion.com

For more information please visit:

www.meetion.com